

DIGITUS[®] IP55 483 mm (19") Industrial Cabinets, Indoor



✓ IP55 protection against water & dust

✓ IK10 mechanical impact resistance

✓ Doors with PU gasketing system

✓ Modular 483 mm (19") mounting system

Abstract

IP55 483 mm (19") Industrial Cabinets, Indoor, 600, 800 mm width - 400, 600, 800, 1000 mm depth

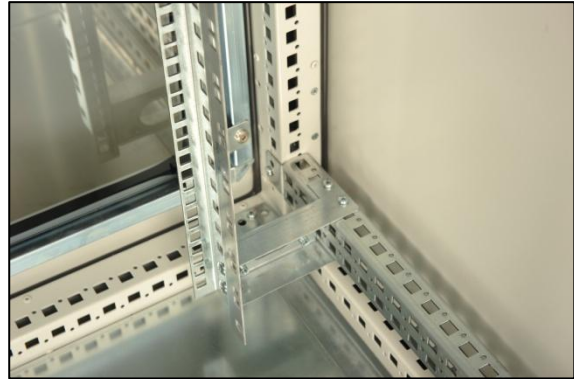
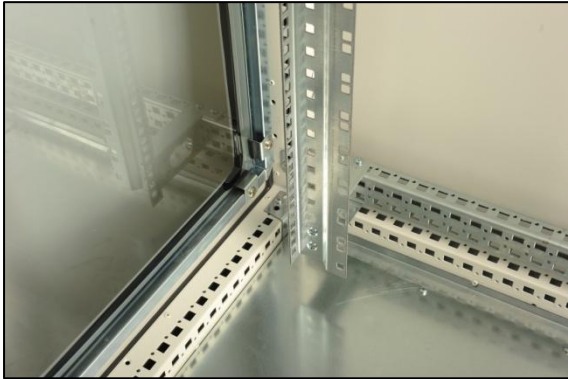
Features

- Safety class IP55 against dust & water ingress acc. to IEC EN60529
- IK10 mechanical impact resistance acc. to IEC EN62262
- Front door with complete metal frame and 4 mm strong tempered glass
- Front- and rear door with high quality swing handle levers, lockable
- 4 point locking system on front- & rear door
- Door structure is produced with multiple bending to obtain rigidity and strength
- Special gasketing system between metal frame and profile system made out of PU (Polyurethane)
- Side panels with special fixing via countersunk bolt
- 130° door opening angle
- incl. 4 pcs. of leveling feet, already mounted
- 1.5 - 2.0 mm strong steel sheet
- Load capacity of 483 mm (19") profile rails: 1500 kg
- 483 mm (19") profile rails mounted in the front- and rear side of the cabinet, with height unit marking
- 483 mm (19") profile rails are adjustable in depth (up to 25 mm in each direction)
- Bottom is equipped with blank panels
- Profiles produced with DIN EN10142-2000 DX51 D+Z material provide high resistance against corrosion
- Standard color grey (RAL 7035) or black (RAL 9005); other colors available on request
- Swing frame is optional available for cabinets from 800 mm width (150 kg load capacity; 120° opening angle with stop mechanism; 25 mm variable in depth)
- Plinth are optional available

Product Overview

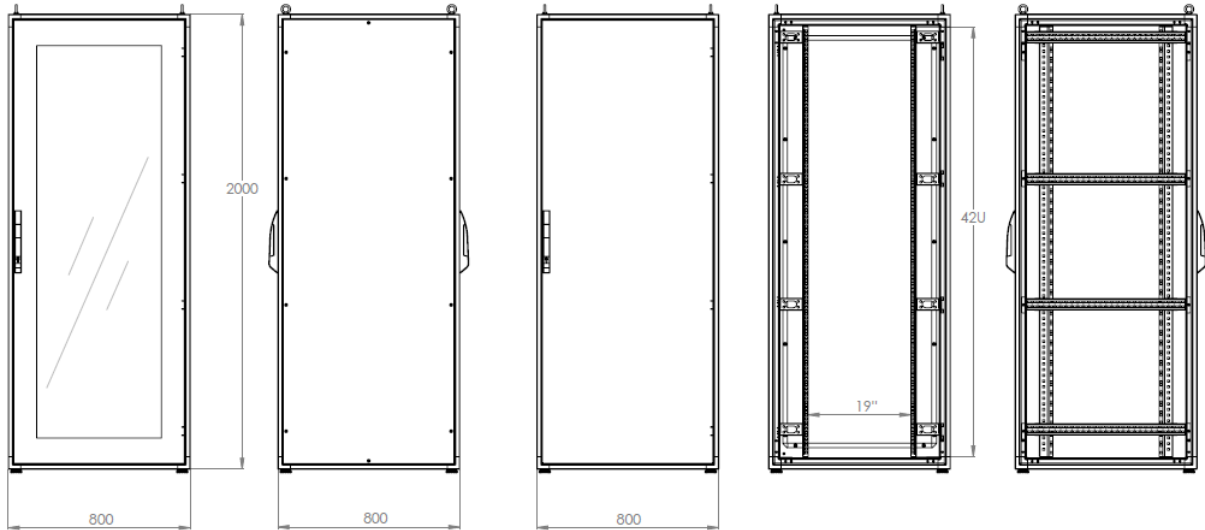
The 483 mm (19") industrial cabinets are protected against dust and water ingress acc. to safety level IP55 (IEC EN 60529). They are available in 24U and 42U. A work effective alternative product is the swing frame version (for cabinets from 800 mm width). Standard color grey (RAL 7035) and black (RAL 9005), varnished with nano technology (500 hours salt spray resistance test).

Product Images



Technical Drawings

DN-19 42U-I-8/8-1



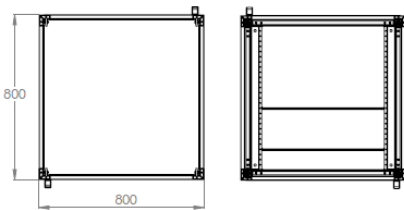
FRONT VIEW

SIDE VIEW

REAR VIEW

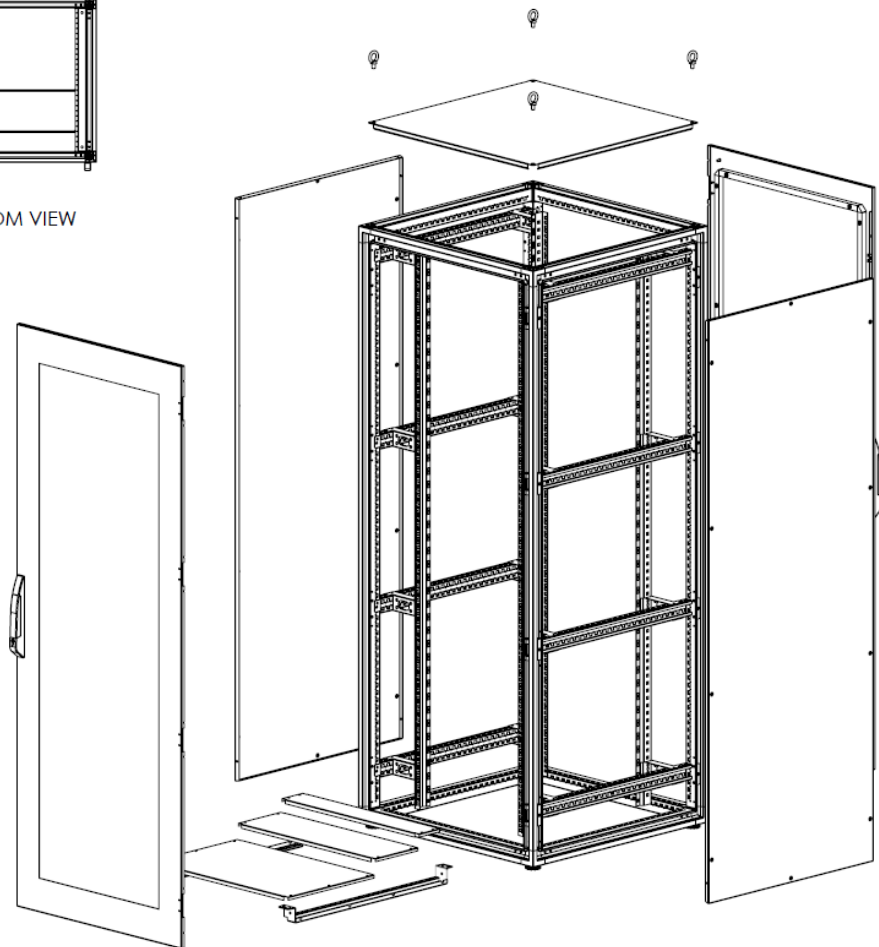
INSIDE FRONT VIEW

INSIDE SIDE VIEW



TOP VIEW

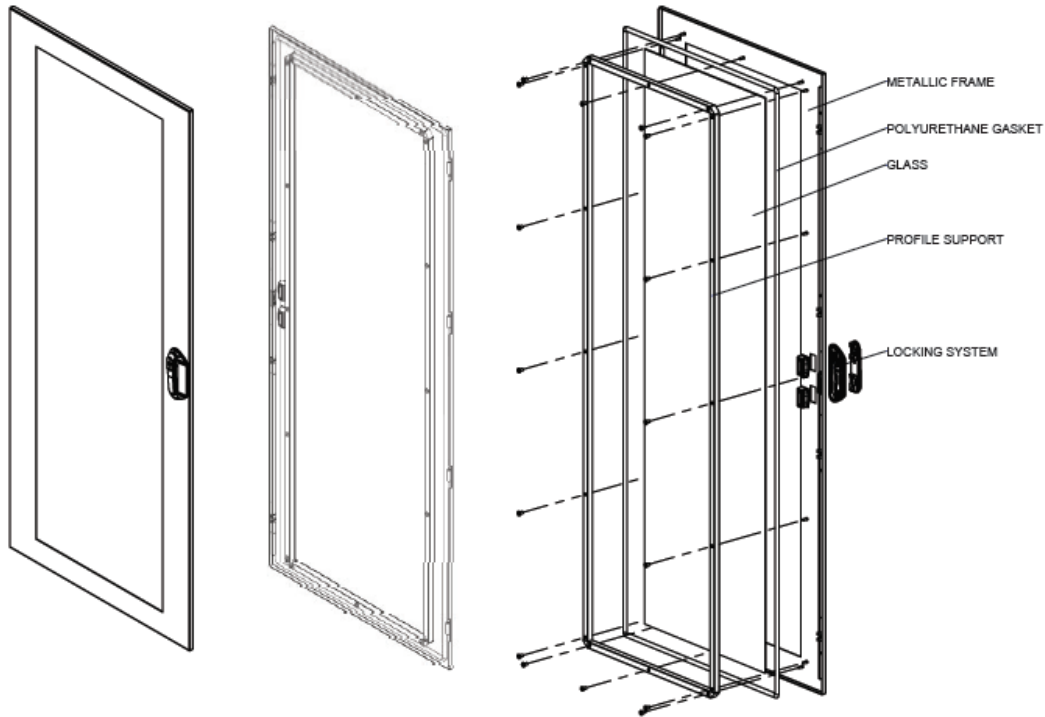
BOTTOM VIEW



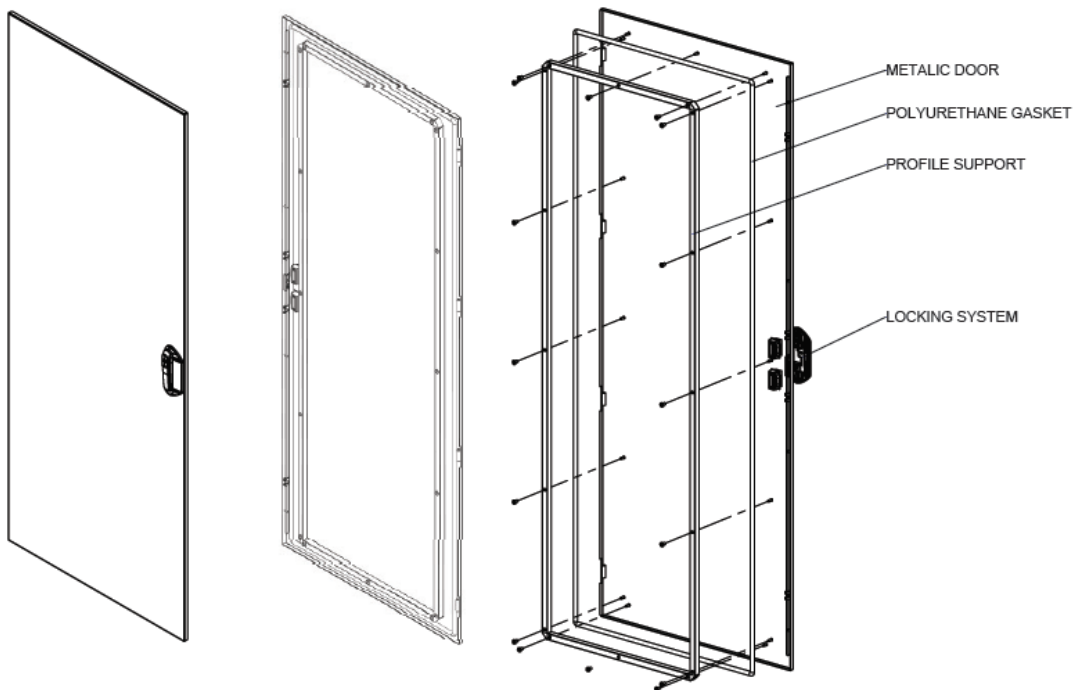
EXPLODED VIEW

Door PU gasketing system

Front door



Rear door



Product Number Information

IP55 483 mm (19") Industrial Cabinets, Indoor					
Item code	Color	Height Unit	Height	Width	Depth
DN-19 24U-I-6/4-1	Grey (RAL 7035)	24U	1200 mm	600 mm	400 mm
DN-19 24U-I-6/4-1-B	Black (RAL 9005)				
DN-19 42U-6/4-1	Grey (RAL 7035)	42U	2000 mm	600 mm	400 mm
DN-19 42U-6/4-1-B	Black (RAL 9005)				
DN-19 24U-I-6/6-1	Grey (RAL 7035)	24U	1200 mm	600 mm	600 mm
DN-19 24U-I-6/6-1-B	Black (RAL 9005)				
DN-19 42U-I-6/6-1	Grey (RAL 7035)	42U	2000 mm	600 mm	600 mm
DN-19 42U-I-6/6-1-B	Black (RAL 9005)				
DN-19 24U-I-6/8-1	Grey (RAL 7035)	24U	1200 mm	600 mm	800 mm
DN-19 24U-I-6/8-1-B	Black (RAL 9005)				
DN-19 42U-I-6/8-1	Grey (RAL 7035)	42U	2000 mm	600 mm	800 mm
DN-19 42U-I-6/8-1-B	Black (RAL 9005)				
DN-19 42U-I-6/10-1	Grey (RAL 7035)	42U	2000 mm	600 mm	1000 mm
DN-19 42U-I-6/10-1-B	Black (RAL 9005)				
DN-19 24U-I-8/4-1	Grey (RAL 7035)	24U	1200 mm	800 mm	400 mm
DN-19 24U-I-8/4-1-B	Black (RAL 9005)				
DN-19 42U-I-8/4-1	Grey (RAL 7035)	42U	2000 mm	800 mm	400 mm
DN-19 42U-I-8/4-1-B	Black (RAL 9005)				
DN-19 42U-I-8/8-1	Grey (RAL 7035)	42U	2000 mm	800 mm	800 mm
DN-19 42U-I-8/8-1-B	Black (RAL 9005)				
IP55 483 mm (19") Industrial Cabinets, Indoor, with swing frame					
Item code	Color	Height Unit	Height	Width	Depth
DN-19 24U-I-SF-8/4	Grey (RAL 7035)	24U	1200 mm	800 mm	400 mm
DN-19 24U-I-SF-8/4-B	Black (RAL 9005)				
DN-19 42U-I-SF-8/4	Grey (RAL 7035)	42U	2000 mm	800 mm	400 mm
DN-19 42U-I-SF-8/4-B	Black (RAL 9005)				

*Height in mm is without leveling feet. For cabinet dimensions with leveling feet, please add approx. 30 mm.

Plinth for IP55 483 mm (19") Industrial Cabinets, Indoor

Cabinet dimensions (HxW)	Color	
	Grey (RAL 7035)	Black (RAL 9005)
600x400 mm	DN-19 PLINTH-6/4-I	DN-19 PLINTH-6/4-I-B
600x600 mm	DN-19 PLINTH-6/6-I	DN-19 PLINTH-6/6-I-B
600x800 mm	DN-19 PLINTH-6/8-I	DN-19 PLINTH-6/8-I-B
600x1000 mm	DN-19 PLINTH-6/10-I	DN-19 PLINTH-6/10-I-B
800x400 mm	DN-19 PLINTH-8/4-I	DN-19 PLINTH-8/4-I-B
800x800 mm	DN-19 PLINTH-8/8-I	DN-19 PLINTH-8/8-I-B

Technical Drawing - Swing Frame & Plinth

